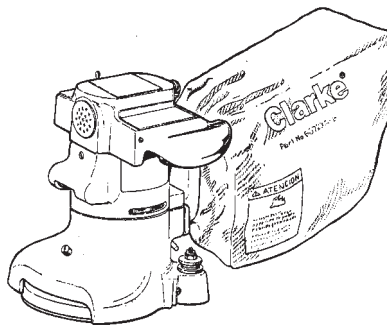

Clarke®

American Sanders

Division of
ALTO®

**Operator's
Manual**



**Super 7R
Edger**

READ THIS BOOK

This book has important information for the use and safe operation of this machine. Failure to read this book prior to operating or attempting any service or maintenance procedure to your Clarke American Sanders machine could result in injury to you or to other personnel; damage to the machine or to other property could occur as well. You must have training in the operation of this machine before using it. If you cannot read English, have this manual explained fully before attempting to operate this machine.

Si Ud. no pueden leer el Inglés, se hagan explicar este manual completamente antes de tratar el manejo o servicio de esta máquina.

All directions given in this book are as seen from the operator's position at the rear of the machine.

For new books write to: Clarke®, 2100 Highway 265, Springdale, Arkansas 72764.

Contents of this Book

Operator's Manual - Section I

Operator Safety Instructions	3
Machine Specifications	5
Sanding Cuts and Sandpaper	6
Machine Set-Up	7
Operating Instructions	7
Adjustment Procedures	8
Routine Maintenance	8
Carbon Brushes	8
Dust Bag	8
Bearings	8

Parts and Service Manual - Section II

Maintenance	10
Wiring Diagram	11
Assembly Drawing	12
Assembly Parts List	13

OPERATOR SAFETY INSTRUCTIONS



WARNING



AVERTISSEMENT



ADVERTENCIA

DANGER means:	Severe bodily injury or death can occur to you or other personnel if the DANGER statements found on this machine or in this Owner's Manual are ignored or are not adhered to. Read and observe all DANGER statements found in this Owner's Manual and on your machine.
WARNING means:	Injury can occur to you or to other personnel if the WARNING statements found on your machine or in this Owner's Manual are ignored or are not adhered to. Read and observe all WARNING statements found in this Owner's Manual and on your machine.
CAUTION means:	Damage can occur to the machine or to other property if the CAUTION statements found on your machine or in this Owner's Manual are ignored or are not adhered to. Read and observe all CAUTION statements found in this Owner's Manual and on your machine.



DANGER:

Failure to read the Owner's Manual prior to operating or attempting any service or maintenance procedure to your Clarke American Sanders machine could result in injury to you or to other personnel; damage to the machine or to other property could occur as well. You must have training in the operation of this machine before using it. **If you cannot read English, have this manual explained fully before attempting to operate this machine.**



DANGER:

















Sanding/finishing wood floors can create an environment that can be explosive. The following safety procedures must be adhered to:

- Cigarette lighters, pilot lights and any other source of ignition can create an explosion when active during a sanding session. All sources of ignition should be extinguished or removed entirely if possible from the work area.
- Work areas that are poorly ventilated can create an explosive environment when certain combustible materials are in the atmosphere, i.e., solvents, thinners, alcohol, fuels, certain finishes, wood dust and other combustible materials. Floor sanding machines can cause flammable material and vapors to burn. Read the manufacturer's label on all chemicals used to determine combustibility. Keep the work area well ventilated.
- Spontaneous combustion or an explosion can occur when working with sanding dust. The sanding dust can ignite and cause injury or damage. Sanding dust should be disposed of properly. Always empty the sanding dust into a metal container that is located outside of any building(s).
- Remove the contents of the dust bag when the bag is 1/3 full. Remove the contents of the dust bag each time you finish using the machine. Never leave a dust bag unattended with sanding dust in it.
- Do not empty the contents of the dust bag into a fire.
- Hitting a nail while sanding can cause sparks and create an explosion or fire. Always use a hammer and punch to countersink all nails before sanding floors.

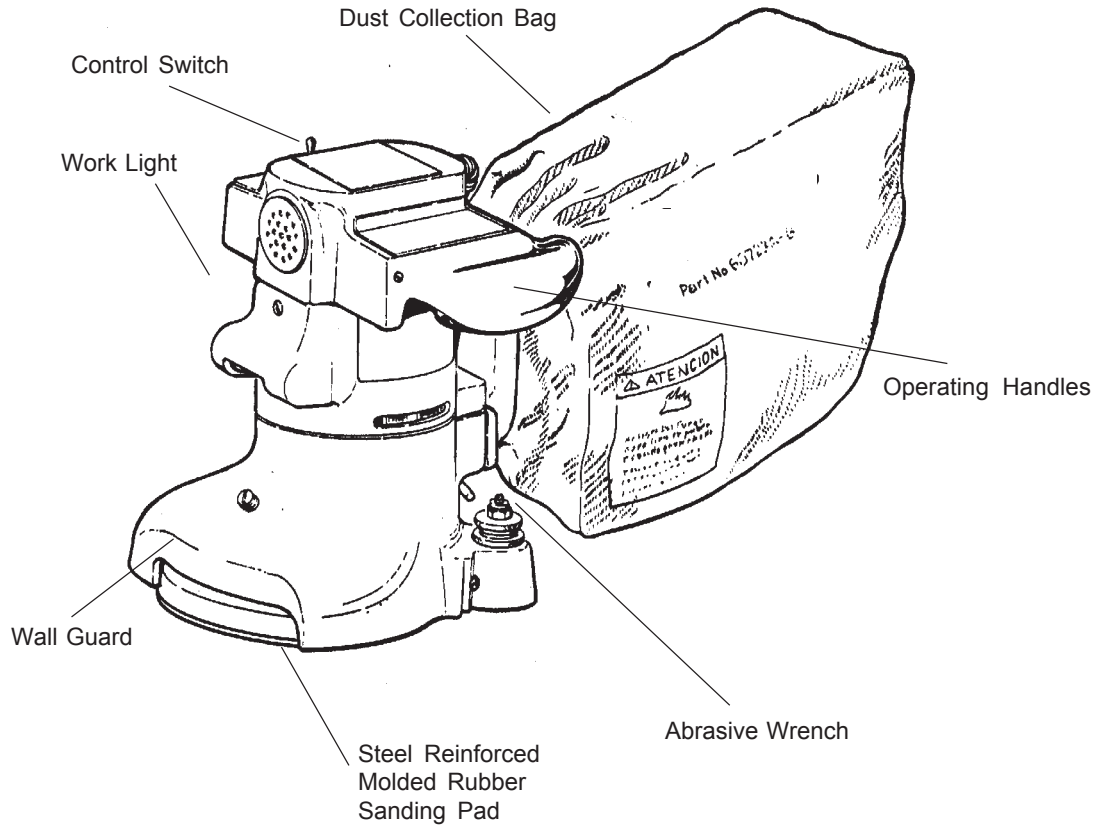


DANGER:

Operating a machine that is not completely or fully assembled could result in injury or property damage. Do not operate this machine until it is completely assembled. Keep all fasteners tight. Keep adjustments according to machine specifications.

-  **DANGER:** Electrocutation could occur if the machine is used on a power circuit that repeatedly trips or is undersized. Have a licensed electrician check the fuse, circuit breaker or power supply.
-  **DANGER:** Electrocutation could occur if maintenance and repairs are performed on a unit that is not properly disconnected from the power source. Disconnect the power supply before attempting any maintenance or service.
-  **DANGER:** Electrocutation could occur if machine is used on ungrounded electrical circuit. Never remove or disable the grounding supply conductor on the electrical cord. Consult an electrician if the grounding conductor is missing or if you suspect your circuit is not grounded properly.
-  **DANGER:** Use of this machine with a damaged power cord could result in an electrical shock. Do not use the machine if the power cord is damaged. Do not use the electrical cord to move the machine.
-  **DANGER:** Electrocutation or injury could occur if the power cord is run over or damaged by the sander. Keep the cord free from under the machine to avoid contact with the sandpaper. Always lift the power cord over the machine.
-  **DANGER:** Moving parts of this machine can cause serious injury and/or damage. Keep hands, feet and loose clothing away from all moving parts of the sander. Disconnect machine from the power source before changing the abrasive, emptying the dust bag, or performing any maintenance. Do not operate unless all covers and guards are in place. Never leave machine unattended while motor is running or connected to power source.
-  **WARNING:** Failure to read and observe all safety statements found on your machine or in this Owner's Manual can result in serious injury or damage. Read and observe all safety statements. Make sure that all labels, decals, warnings, cautions, and instructions are fastened to the machine. Get new labels from your authorized Clarke American Sanders distributor.
-  **WARNING:** Sanding dust can be airborne and can be breathed in while operating a sander. Always wear a dust mask while operating sanding equipment.
-  **WARNING:** Injury to the eyes and/or body can occur if protective clothing and/or equipment is not worn while sanding. Always wear safety goggles, protective clothing, and a dust mask while performing any sanding operation.
-  **WARNING:** Bodily injury could occur if power is applied to the machine with the power switch already in the "ON" position. Always check to assure that the power switch is in the "OFF" position before applying power to the power cable.
-  **WARNING:** Any alterations or modifications of this machine could result in damage to the machine or injury to the operator or other bystanders. Alterations or modifications not authorized by the manufacturer voids any and all warranties and liabilities.
-  **CAUTION:** Maintenance and repairs performed by unauthorized personnel could result in damage or injury. Maintenance and repairs performed by unauthorized personnel will void your warranty. Servicing of this unit must always be referred to an authorized American SandersTechnology distributor.
-  **CAUTION:** Use of this machine to climb on could result in injury or damage. Do not use this machine as a step or furniture.
-  **CAUTION:** Damage could occur to the machine if not properly kept in a dry building for storage. Store the machine in a dry building.
-  **CAUTION:** Serious damage to the floor can occur if the machine is left running in one spot while the sanding disc is in contact with the floor. To avoid damage to the floor, do not dwell while lowering or raising the sanding disc. Always sand with a constant motion and pressure.
-  **CAUTION:** Do not rest machine on sanding disc. To do so may cause a flat spot and reduce the quality of performance. Tip machine back or rest on side when not in use.

**Clarke®
American Sanders
Model Super 7R
Specifications**



Specifications

Model	07011A	07075A	07054A	07098A
Electrical Rating	115V, 12.0 A, 60 Hz	115V, 12.0 A, 60 Hz	230V, 6.0A, 50 Hz	230V, 6.0 A, 50 Hz
Storage Case	Optional	Standard	Standard	Standard
Motor	1hp	1hp	1hp	1hp
Abrasive Size	7" x 7/8" Dia. Disc	7" x 7/8" Dia. Disc	7" x 7/8" Dia. Disc	7" x 7/8" Dia. Disc
Disc Rate	2800 RPM	2800 RPM	2800 RPM	2800 RPM
Disc Driver System	Gear Driven	Gear Driven	Gear Driven	Gear Driven
Power Cable	14-3 Gray Rubber	14-3 Gray Rubber	14-3 Gray Rubber	14-3 Gray Rubber
Dust Collection	Standard	Standard	Standard	Standard
Dust Control Rate	110 CFM	110 CFM	110 CFM	110 CFM

SANDING CUTS AND SANDPAPER

Initial Cut

The purpose of the initial cut is to remove old finish and gross imperfections on the floor surface. A coarse abrasive should be used.

If glazing, loading, or burning takes place immediately into an initial cut, select a coarser abrasive. If this should occur during an initial cut, the abrasive has dulled and must be replaced.

Final Cuts

The purpose of a finishing cut is to remove the scratches produced during the initial cut. Use a fine (60 - 80 grit) grain abrasive.

If the surface remains rough after a finishing cut, it may be necessary to use an even finer grain of abrasive (80 - 100 grit). Care should be taken in selecting the grit size of the abrasive. A very fine grain will close the pores on a wood floor making admission of a stain difficult.

Grain	Use	7" Diameter Standard Grade Part #/Qty	7" Diameter Professional Grade Part #/Qty
12 grit 16 grit 20 grit 24 grit	For removing gross imperfections and restore evenness to old flooring. To remove build-up of paints and varnishes.	945300/50 945301/50 945302/50	945594/200 945595/200 945596/200 945597/300
30 grit 36 grit	For first sanding of new flooring (maple, oak). For removing minor imperfections and finishes from old flooring.	945305/100	945598/300 945599/300
40 grit	For initial cut on new flooring (oak, walnut). For removing minor imperfections and finishes from old flooring.		945600/300
50 grit	For first sanding of new flooring (cedar, pine, fir) For clean-up of 16 grit.	945307/100	945601/300
60 grit	For clean-up from initial cut 36 grit.	945308/100	945602/300
80 grit	For final sanding of certain hardwoods. For clean-up of initial cuts (50 grit).	945309/100	945603/300
100 grit	For final sanding of certain hardwoods and conifers where a smooth surface is desired.	945310/100	945604/300
120 grit	For final sanding of certain conifers.		945605/500
150 grit	For final sanding of certain conifers where a smooth surface is desired for surface roughening between coats of finish.		945606/300

MACHINE SET-UP

1. Familiarize yourself with the machine. Read all danger, warning, and caution statements and the Owner's Manual before operating this machine. If you or your operator cannot read English, have this manual explained fully before attempting to operate this machine.
2. Install dust bag support to the exhaust bracket (figure 1). Place opening of dust bag over dust bag support and exhaust bracket; cinch and tie securely to exhaust bracket.
3. Remove screw and abrasive retainer. Center abrasive on pad and secure with abrasive retainer and screw. (Figure 2)
4. Return machine to upright position and tilt machine back on casters until it comes to rest on the exhaust bracket. Machine will be in a reclined position. Do not allow machine to rest on pad especially after use, or compression set may take place within elastomer on pad. This will create a flat spot and bounce during use. (Figure 3)

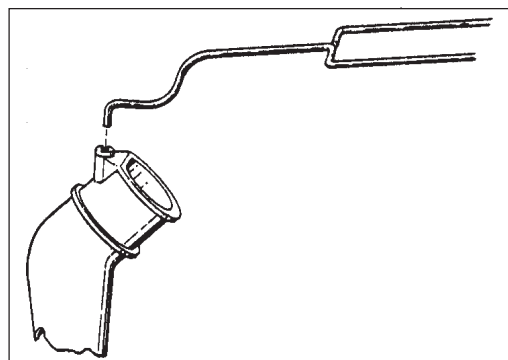


Figure 1

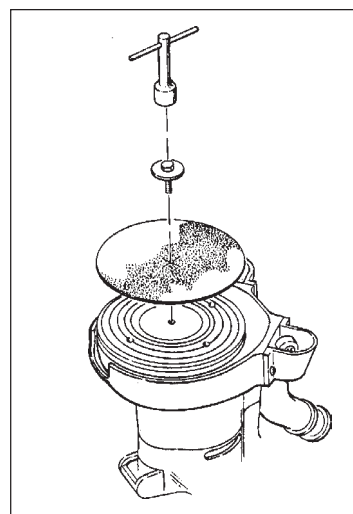


Figure 2



WARNING: Bodily injury could occur if power is applied to the machine with the power switch already in the "ON" position. Always check to assure that the power switch is in the "OFF" position before applying power to the power cable.

2. Make sure the control switch is in the "Off" position then connect the supply cable to an appropriately grounded fused circuit. Connect the supply cable to the motor pigtail. (Figure 4)
3. With the machine in the reclined position firmly grasp both handles and flip the control switch to the "ON" position. (Figure 3.)
4. Gradually lower pad to surface intended for sanding. Make sure the machine is in motion while the pad is engaged with the surface to be sanded. You may use broad circular motion as you sand along the length of the surface or you may use a combination of forward and sideward motions. In time you will develop your own technique to optimize coverage and dust recovery. It is advisable to not add effort to the pad as this may lead to "nosing in" or "tipping" which produces grooves or lines on the surface.
5. When replacing abrasive, emptying the contents of the dust bag, or sanding operation is completed, return machine to reclined position, flip control switch to "Off" then disconnect the motor pigtail from the supply cable.
6. Empty dust bag whenever it becomes 1/3 full.

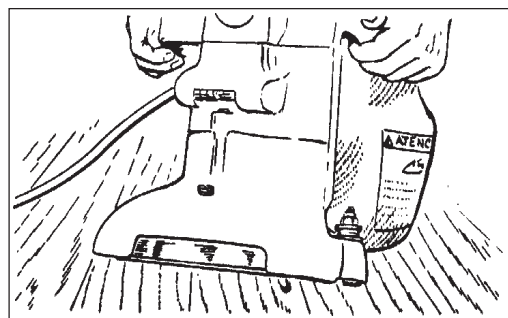


Figure 3

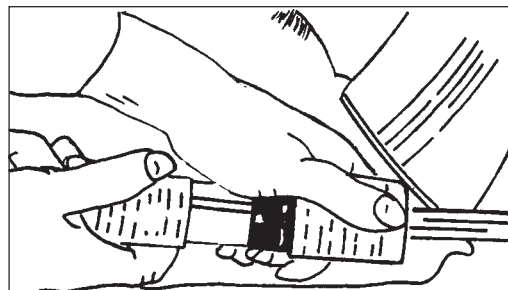


Figure 4

OPERATING INSTRUCTIONS cont.

⚠ DANGER: Failure to disconnect the supply cable from machine whenever servicing, replacing abrasive, or emptying the dust bag could result in electrocution or severe injury. Never leave machine unattended while the supply cable is connected.

⚠ DANGER: Never leave dust bag unattended with sanding dust in it. Sanding dust can spontaneously ignite and cause a fire or explosion. Empty dust bag into a metal container, clear of any combustibles. Do not empty content into a fire. Do not overfill dust bag.

ADJUSTMENT PROCEDURES

Leveling

To level machine: Grasp caster adjusting screw "A" with an appropriate tool (pliers ect.). Using a similar tool, loosen locknut "B" with a counter clockwise motion. (Figure 5).

Condition - Pad creates ridges on both edges or a "hop" is experienced: Rotate both adjusting screws equal amounts clockwise. Tighten locknuts and test on a piece of plywood. Repeat procedure until condition is corrected. We recommend you not exceed 1/8" rotation for each attempt.

Condition - Pad creates a ridge on the tip of the pad: Rotate both adjusting screws counter clockwise, tighten locknuts and test. Repeat procedure until condition is corrected. Use only 1/8 rotation for each attempt.

Condition - Pad creates a ridge on only one side of the pad: Either rotate the adjusting screw of the side effected clockwise or rotate the adjusting screw opposite counter-clockwise, depending on whether the ridge terminates beyond the tip of the pad or prior to it. If it is prior to the tip, adjust the side effected, otherwise adjust the opposite side.

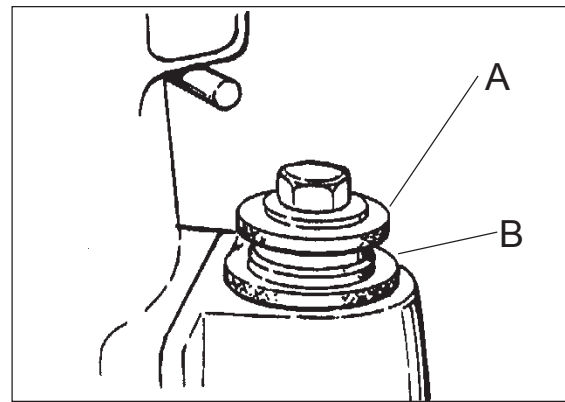


Figure 5

ROUTINE MAINTENANCE

⚠ CAUTION: Failure to perform maintenance at recommended intervals may void warranty.

Carbon Brushes

Have the carbon brushes replaced at least every 500 hours and more frequently under heavy use.

Dust Bag

Periodically the dust bag should be turned inside out, shaken vigorously and machine washed in cold water to prevent pore blockage and loss of dust control.

Bearings

To insure reliable performance, have armature and pad driver bearings inspected for wear or damage after every 1500 hours. If used heavily, have the bearings replaced seasonally.

Lubrication

The machine comes fully lubricated. The gears in the gear box have enough lubrication for approximately six months of normal operation. Have the lubricant changed at least every 6 months or more frequently under heavy use.

Clarke[®]
American Sanders



Super 7R
Edger
Section II
Parts and Service Manual

(78155C)

MAINTENANCE

CAUTION: Maintenance and repairs performed by unauthorized personnel could result in damage or injury. Maintenance and repairs performed by unauthorized personnel will void your warranty. Failure to perform maintenance at recommended intervals may void warranty.

Carbon Brushes

Inspect all four brushes every 6 months or 250 hours. Access to the brushes is gained through the front and back motor vent plugs and under both motor covers (figure 6). Press tab on spring clip assembly in, rotate, then remove (figure 7). Use needlenose pliers to disconnect the shunt wire. If any brush has worn to 3/8" in length or shorter, replace the entire set.

CAUTION: Use only motor brush PN 40818A or PN 40055A with shunt wire or motor failure will occur.

When replacing the brushes make sure that the brush seats against the commutator, the spring rest in the recess of the brush, and the brush is free to travel. When returning the switch cover, keep any wires clear of the commutator and any pinch site.

To Change The Lubricant In The Gearbox

To change the lubricant in the gearbox, follow this procedure:

1. Put the machine upside down on a bench.
2. Align one of the two holes in the rubber pad with one of the three holes in the rotating wall guard.
3. Align both holes with one of the three screws in the gear housing cover. Remove the screw from the gear housing cover. (Figure 8)
4. Align the holes with each of the other two screws, then remove screws.

CAUTION: Make sure no dust enters the gear box. Damage will occur to the gear box.

5. Remove the cover from the gear housing.
6. Remove the old lubricant from the gearbox.
7. Add six ounces of American Sanders Technology lubricant to the gear box.

CAUTION: To prevent damage to the motor, do not add more than six ounces of lubricant to the gearbox.

8. Using the three screws removed above, install the cover on the gear housing.
9. Start the machine and let it run for 15 minutes. A small amount of excess lubricant should flow out the vent hole. If none appears it may be necessary to add additional lubricant.
10. Wipe off excess lubricant and clear vent hole.

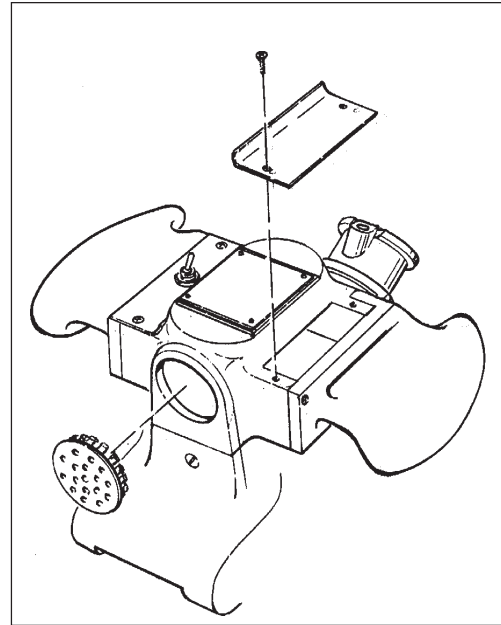


Figure 6

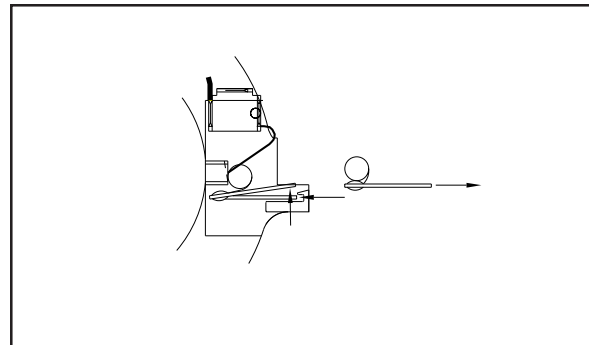


Figure 7

Lubricants

Qty	Part No.
1Qt.	16610A
1Gal.	16611A

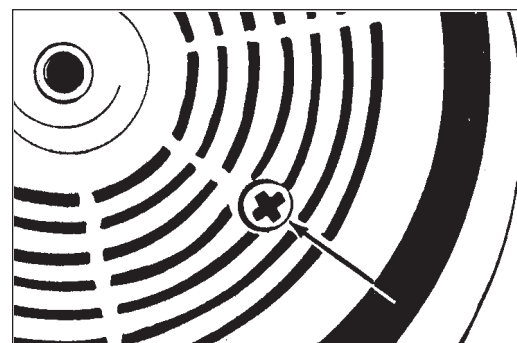
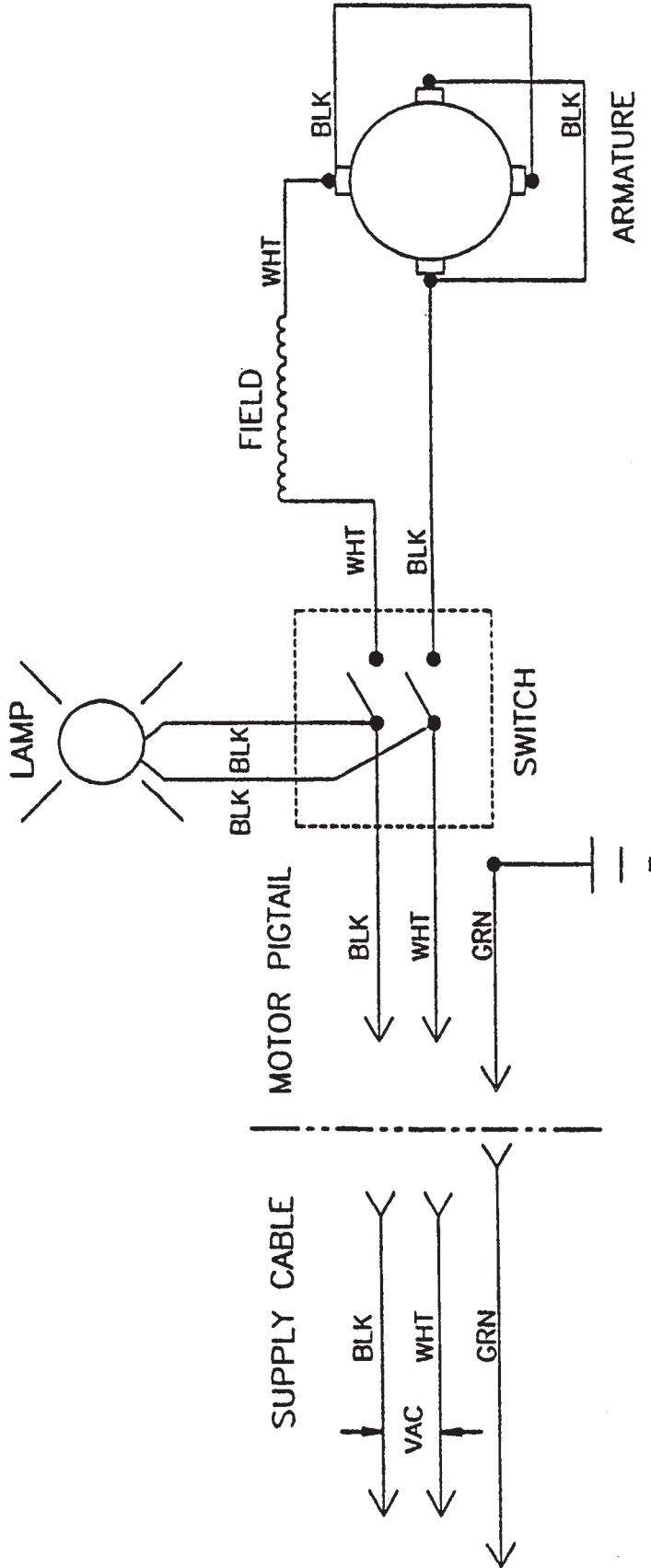
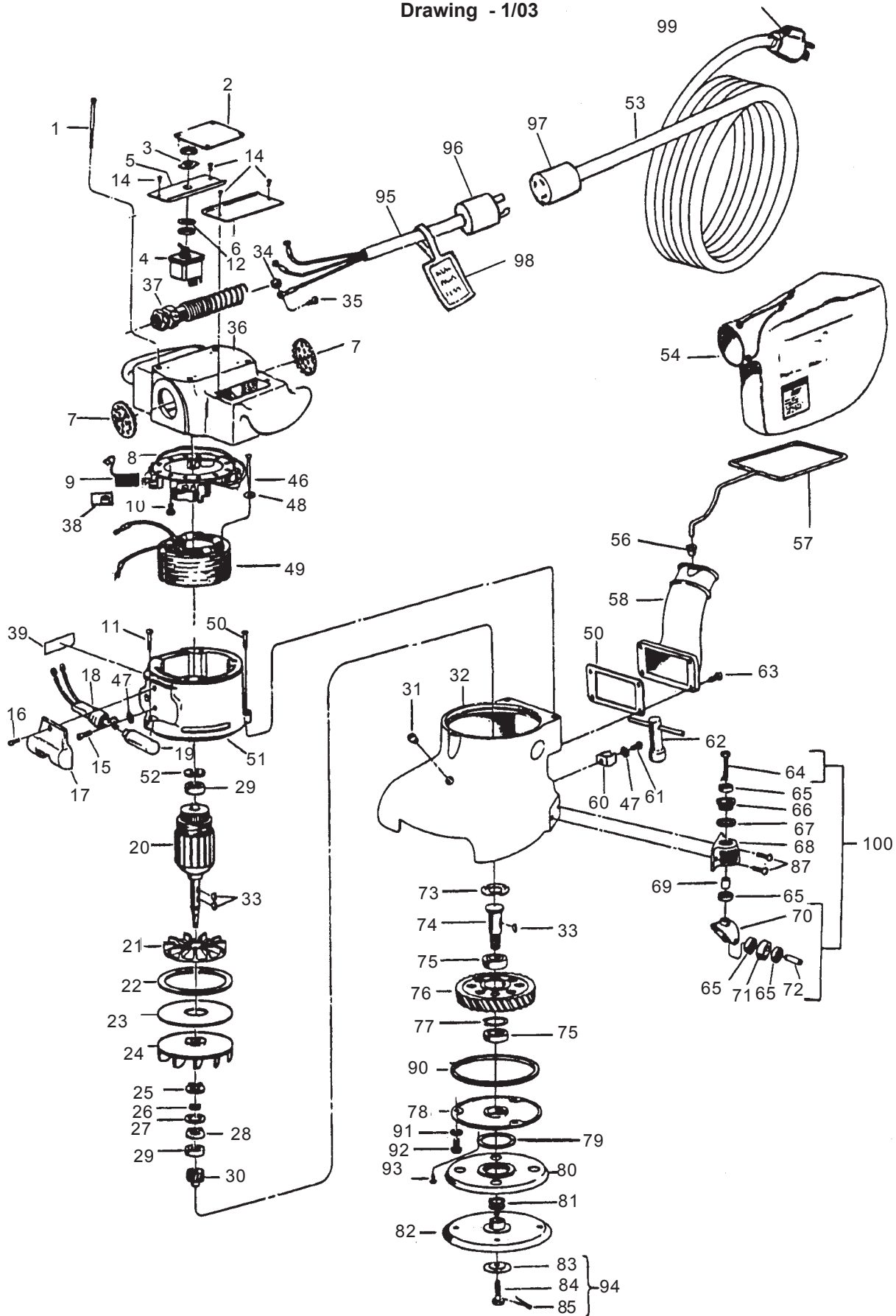


Figure 8

Clarke®
American Sanders
 Model Super 7R Edger
 Wiring Diagram 1/03



**Clarke®
American Sanders
Super 7R Edger
Drawing - 1/03**



Clarke®
American Sanders
Super 7R Edger
Parts List - 1/03

Ref#	Part No.	Description	Qty
1	962404	Screw - #10-24 x 3 ¼ Ft. St. Mach.	4
2	70487A	Plate - Name	1
3	646302	Plate - Dial	1
4	47394A	Switch - Toggle	1
5	302310	Cover, Motor Brush R.H.	1
6	302309	Cover, Motor Brush L.H.	1
7	306802	Plug - Vent	2
8	43201A	Holder Assembly Brush	1
9	40818A	Carbon Brush 115V	4
	40055A	Carbon Brush 240V	4
10	962727	Screw - #8-32 x ½ Pan Head	4
11	962988	Screw - ¼ -20 x 1¼ Pan St. Mach.	1
12	980662	Washer - SH #1224-00 Lock	1
13			
14	962545	Screw - #6-32 x ¾ Ft. St. Type 23	4
15	85393A	Screw - #10-24 x ¼ Pn. St. Mach.	1
16	962310	Screw - #10-24 x ½ OV	1
17	303602	Guard - Lamp	1
18	46902A	Socket -Assembly	1
19	911113	Light Bulb 115V	1
	911116	Light Bulb 240V	1
20	10101B	Armature Assembly 115V	1
	10110A	Armature Assembly 240V	1
21	303004	Fan - Motor	1
22	293403	Gasket - Fan Baffle	1
23	306102	Plate - Exhaust Fan Baffle	1
24	303002	Fan - Vacuum	1
25	307302	Ring - Retaining	1
26	308202	Spacer - Bearing	1
27	297604	Seal - Oil	1
28	407302	Ring - Retaining	1
29	902567	Bearing	2
30	293514	Pinion - Armature	1
31	316804	Plug - Pipe ⅜	1
32	304204	Housing - Gear	1
33	915028	Key ⅜ x ⅝ Woodruff	3
34	980621	Washer, #1108	1
35	962550	Screw, 8-32 x ⅝	1
36	302312	Cover, Motor	1
37	56475A	Strain Relief	1
38	50932A	Spring brush Holder	4
39	73285A	Label, Warning	1
46	962211	Screw - #10-24 x 2½ Pn. St. Mach.	2
47	980603	Washer - #1110 Shakeproof	7
48	980643	Washer - #10 7/16 Plain	2
49	42820A	Field 115 Volt	1
	42819A	Field 240 Volt	1
50	962454	Screw - ¼-20 x 1 Sc. Cap	2
51	304208	Housing and Guard Assembly	1
	20013A	Housing, Motor Super7R	1
52	298306	Spring Load	1

Ref#	Part No.	Description	Qty
53	42234A	Cord Supply 115V	1
	42182A	Cord Supply 240V	1
	40007A	Cord Supply w/AUI-10P	1
54	50952A	Bag, Dust	1
56	50732A	Bearing	1
57	69621A	Support, Bag	1
58	21108A	Bracket - Exhaust	1
59	293406	Gasket - Exhaust Bracket	1
60	302101	Clamp - Wrench	1
61	962987	Screw - 10-24 x ¾ Pn. St. Typ.	1
62	987300	Wrench	1
63	962289	Screw - ¼-20 x ¾ Soc. St. Cap	4
64	85702A	Screw - ¼-20 x 1¼	2
65	50740A	Bearing	8
66	960130	Screw - Caster Adjusting	2
67	920670	Nut - Lock Adjust	2
68	310803	Bracket - Caster Support	2
69	298215	Spacer - Collar	2
70	29404A	Yoke, Edger, Caster	2
71	299704	Roller - Caster	2
72	925592	Pin - ¼ x 1 Spirol	2
73	318303	Spring - Load	1
74	307702	Shaft - Drive Gear	1
75	902550	Bearing	2
76	303502	Gear - Drive	1
77	067304	Ring - Retaining	1
78	302306	Cover - Assembly Gear Housing	1
79	317204	Retainer - Disc Guard	1
80	293616	Guard - Disc	1
81	980088	Washer	2
82	13203A	Assembly - Sanding Pad	1
83	980132	Washer - Disc, Retaining	1
84	960140	Screw - Paper Lock	1
85	925004	Pin - Cotter 1/16 x ½	1
87	962109	Screw - #10-24 x ⅝ Pn SS	4
90	34232A	Gasket - Gear Case Cover	4
91	87609A	Washer Seal	3
92	84808A	Screw, 10-24 x ¾	3
93	962974	Screw, 6-32 x ½	4
94	960125	Assembly Screw Lock	1
95	41960A	Motor Pigtail 115V	1
	41947A	Motor Pigtail 240V	1
96	912169	Plug L5-15P (115V)	1
	45602A	Plug L6-15P (240V)	1
97	911461	Connector L5-15R (115V)	1
	41708A	Connector L6-15R (240V)	1
98	70175A	Tag, Warning	1
99	911248	Plug 5-15P (115V)	1
	45603A	Plug 6-15P (240V)	1
	40023A	Plug AUI-10P	1
100	12208A	Caster, Assembly	1
NI	31407A	Case, Super 7R Edger	1

NOTE: Assembly 12208A includes parts 64, 65, 70, 71, & 72.

NI = Not illustrated

Accessories Available

	Part No.	Description	Qty
	312404	Cutter Disc Assembly	1
a	311306	Blade - Disc Cutter	1
b	312904	Eject Disc Cutter	1
c	315604	Mallet	1
d	317004	Punch Center	1
e	317304	Ring Disc Cutter	1
f	762005	Clamp	1
g	920208	Nut - ¼-20 Hex	1
h	962013	Screw ¼-20 x 1¼ R	1
i	962233	Screw ¼-20 x ⅝ S	1

ALTO[®] PRODUCT SUPPORT BRANCHES

U. S. A. Locations

HEAD OFFICE

ALTO U.S. Inc., St. Louis, Missouri
16253 Swingley Ridge Road, Suite 200
Chesterfield, Missouri 63017-1725

PRODUCTION FACILITIES

Clarke[®], Springdale, Arkansas
2100 Highway 265
Springdale, Arkansas 72764
(479) 750-1000
Customer Service - 1-800-253-0367
Technical Service - 1-800-356-7274

American Lincoln[®], Bowling Green, Ohio 43402
1100 Haskins Road

SERVICE FACILITIES

Clarke[®], Carlstadt, New Jersey 07072
150 Commerce Road
(201) 460-4774

Clarke[®], Elk Grove, Illinois 60007
2280 Elmhurst Road
(847) 956-7900

Clarke[®], Denver, Colorado 80204
1955 West 13th Ave.
(303) 623-4367

Clarke[®], Houston, Texas 77040
7215 North Gessner Road

SALES AND SERVICE FACILITIES

American Lincoln[®] / Clarke[®], Madison Heights,
Michigan 48071-0158
29815 John R.
(810) 544-6300

American Lincoln[®] / Clarke[®], Marietta, Georgia 30062
1355 West Oak Common Lane
(770) 973-5225

Clarke[®]
Clarke American Sanders
A.L. Cook
Customer Service Headquarters and Factory
2100 Highway 265
Springdale, Arkansas 72764
(479) 750-1000

Technical Service
1-800-356-7274

European Locations

PRODUCTION FACILITIES

ALTO Danmark A/S, Aalborg
Blytaekervej 2
DK-9000 Aalborg
+45 72 18 21 00

ALTO Danmark A/S, Hadsund
Industrikvarteret
DK-9560 Hadsund
+45 72 18 21 00

SALES SUBSIDIARIES

Clarke[®] Canada Ltd., Rexdale Ontario
24 Constellation Ct.
(416) 675-5830

ALTO Overseas Inc., Sydney (Australia)
1B/8 Resolution Drive
Caringbah NSW 2229
+61 2 9524 6122

ALTO Cleaning Systems Asia Pte Ltd., Singapore
No. 17 Link Road
Singapore 619034
+65 268 1006

ALTO Deutschland GmbH, Bellenberg (Germany)
Guido-Oberdorfer-Straße 2-8
89287 Bellenberg
+49 0180 5 37 37 37

ALTO Cleaning Systems (UK) Ltd., Penrith
Gilwilly Industrial Estate
Penrith
Cumbria CA11 9BN
+44 1768 868 995

ALTO France S.A. Strasbourg
B.P. 44, 4 Place d'Ostwald
F-67036 Strasbourg
Cedex 2
+33 3 8828 8400

ALTO Nederland B.V. Vianen
Stuartweg 4C
NL-4131 NJ Vianen
+31 347 324000

ALTO Sverige AB, Molndal (Sweden)
Aminogatan 18
Box 4029
S-431 04 Molndal
+46 31 706 73 00

ALTO Norge A/S, Oslo (Norway)
Bjornerudveien 24
N-1266
+47 2275 1770

Clarke® American Sanders U. S. Warranty

This Clarke American Sanders Industrial/Commercial Product is warranted to be free from defects in materials and workmanship under normal use and service for a period of one year from the date of purchase, when operated and maintained in accordance with Clarke American Sanders's Maintenance and Operations Instructions.

This warranty is extended only to the original purchaser for use of the product. It does not cover normal wear parts such as electrical cable or V-belts.

If difficulty develops with the product, you should:

- (a). Contact the nearest authorized Clarke American Sanders repair location or contact the Clarke American Sanders Service Operations Department, 2100 Highway 265, Springdale, Arkansas 72764, for the nearest authorized Clarke American Sanders repair location. Only these locations are authorized to make repairs to the product under this warranty.
- (b). Return the product to the nearest Clarke American Sanders repair location. Transportation charges to and from the repair location must be prepaid by the purchaser.
- (c). Clarke American Sanders will repair the product and or replace any defective parts without charge within a reasonable time after receipt of the product.

Clarke American Sanders's liability under this warranty is limited to repair of the product and/or replacement of parts and is given to purchaser in lieu of all other remedies, including INCIDENTAL AND CONSEQUENTIAL DAMAGES.

THERE ARE NO EXPRESS WARRANTIES OTHER THAN THOSE SPECIFIED HEREIN. THERE ARE NO WARRANTIES WHICH EXTEND BEYOND THE DESCRIPTION OF THE FACE HEREOF. NO WARRANTIES, INCLUDING BUT NOT LIMITED TO WARRANTY OF MERCHANTABILITY, SHALL BE IMPLIED. A warranty registration card is provided with your Clarke American Sanders product. Return the card to assist Clarke American Sanders in providing the performance you expect from your new floor machine.

Clarke®, 2100 Highway 265, Springdale, Arkansas 72764

Clarke American Sanders reserves the right to make changes or improvements to its machine without notice.

Always use genuine Clarke American Sanders Parts for repair.

Clarke®

American Sanders

Division of
ALTO®

**2100 Highway 265
Springdale, Arkansas, 72764**